



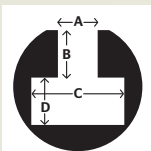
str/nds

S 40 ME

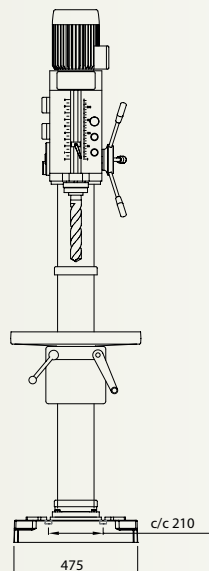
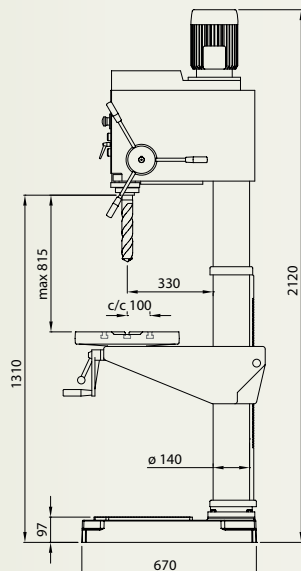
	\varnothing 40 mm		50Hz 90-135 200-300 440-670 980-1500	60Hz 108-162 240-360 528-805 1175-1800
				190 mm
	M24 / M28		mm/r 0,10 0,16 0,24 0,33	inch/r 0,004 0,0064 0,010 0,013
				MK 4
	500 x 400 mm			



340



A 14,5 +/- 0,8 mm
 B 13 mm
 C 26 mm
 D 12 mm



Tillbehör S 40 ME

Spare parts/Zubehör

strands



T25095



T35000



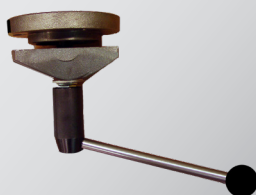
T25003



T40010



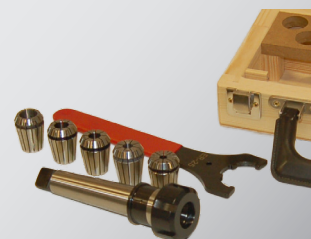
T40013



T40021



T40022



T40042

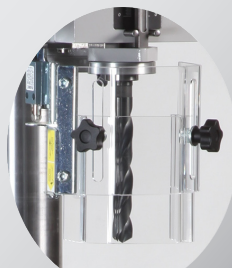


T40040 0-13 mm



T40041 3-16 mm

Std EU



T40051 + T25052

MSC
machinery scandinavia
MADE IN SWEDEN


ROSENFORS
MADE IN SWEDEN

Machinery Scandinavia AB
577 97 Rosenfors, Sweden
Tel +46 495 49 700
E-mail: sales@mscab.se
www.strandsmachinery.com